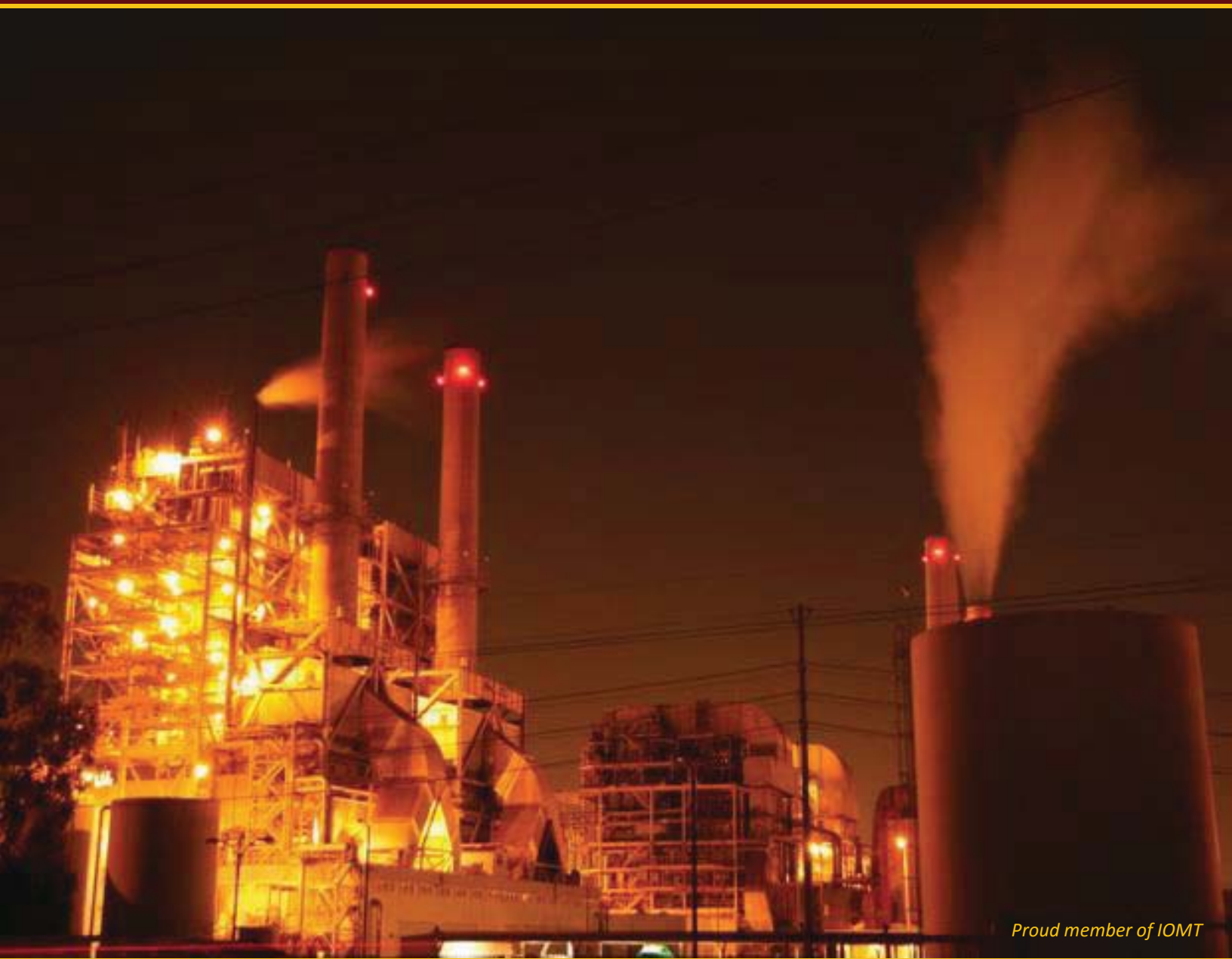


REMINGTON VALVE

Severe Service Ball Valves



Proud member of IOMT

VALVE SELECTION GUIDE

Custom designs – Innovative technology

WWW.FLOCONX.COM
SALES@FLOCONX.COM
VENTAS@FLOCONX.COM

Manufactured in Houston, Texas

CRITICAL SERVICE FIELD PROVEN ENGINEERED SUPPORT SERVICE

Simplifying the way you buy valves

WHY CHOOSE REMINGTON?

REMINGTON VALVE located in Houston, Texas is a leading manufacturer of severe service isolation ball valves for the most extreme applications for the Refining, Chemical, Petrochemical, Power Generation, Oil & Gas, Mining, Aerospace industries. The core employees combine decades of innovative engineering, manufacturing, cutting edge technology, and field proven designs to help customers like you.

Why Choose REMINGTON:

- Optimized ball valve design and calculations
- 3D Parametric modeling
- Cutting edge coating technology
- Automated lapping process
- Vacuum testing to validate Class VI shut-off
- All valves built to ASME B16.34
- Field Proven designs for isolation challenges

Engineered Solutions for:

- Refining
- Chemical / Petrochemical
- Power Generation
- Upstream Oil & Gas
- Mining & Minerals
- Pulp & Paper
- Cryogenic

Applications:

- High Temperature
- Low Temperature
- High Pressure
- Abrasive
- Corrosive
- Erosive
- Lethal

Features and Benefits

Manufactured in Houston, Texas

- **Body:** All valves built from forgings – *no castings*
- **Ball & Seats:** Both made from the same material to match thermal expansions
- **Lapping:** Automated lapping process laps both sides of the ball to Class VI
- **Coating:** HVOF and Spray & Fused with cutting edge technology per application
- **Stem:** Surface hardened to eliminate galling
- **Articulating Gland Flange:** Prevents stem binding and galling
- **Spring:** Allows for thermal expansion and provides a constant mechanical seal
- **Grafoil Packing:** Premium die-formed with Anti-extrusion rings – Live loaded
- **Open/Closed Indicator:** Scribe line on stem and articulating gland flange
- **Vacuum Testing:** To ensure Class VI shut-off prior to installation
- **ASME B16.34:** All valves built to ASME B16.34 requirements



Field proven designs..

Valve Selection Guide

G-SERIES

Applications: Critical Isolation, Lethal Services, Heavy Slurry, Ultra-High Pressure, Catalyst, HPAL, and more.

SIZE

- ½" – 36" (2 or 3 piece)

PRESSURE CLASS

- 150# - 4500#

END CONNECTIONS

- RF, RTJ, HUB, BW, SW

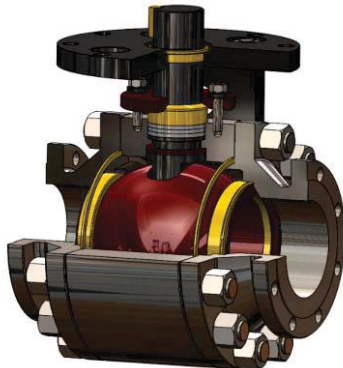
Per customer specifications

SEALING OPTIONS

- Uni-directional (Standard)
- Bi-directional (Optional)

Materials

- *Per Customers Specifications*



C-SERIES

Applications: Constant Contact Seat, Double Block and Bleed, and Trunnion designs.

SIZE

- ½" – 36" (2 or 3 piece)

PRESSURE CLASS

- 150# - 4500#

END CONNECTIONS

- RF, RTJ, HUB, BW, SW

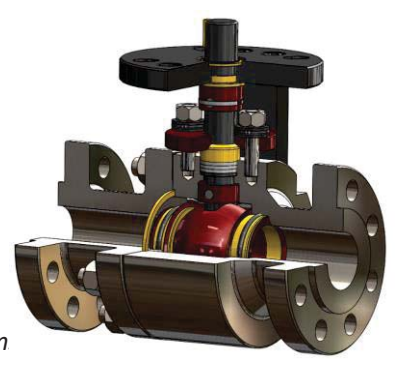
Per customer specifications

SEALING OPTIONS

- Uni-directional (Standard)
- Bi-directional (Optional)

Materials

- *Per Customers Specification*



VALVE SELECTION GUIDE

Custom designs – Innovative technology

S-SERIES

Applications: Vents and Drains - Economizer, Boiler, Turbine, Feedwater, Sootblower, and more.

SIZE

- ½" – 2 ½"

PRESSURE CLASS

- 150# - 4500# (Limited Class)

END CONNECTIONS

- SW Standard (BW, RF, HUB)
Per customer specifications

SEALING OPTIONS

- Uni-directional (Standard)

Materials

- A105, F11, F22, F91, F92



M-SERIES

Applications: Metals & Minerals Mining, Slurry Transport, Autoclave (HPAL), and Pressure Oxidation.

SIZE

- ½" – 36" (2 or 3 piece)

PRESSURE CLASS

- 150# - 4500#

END CONNECTIONS

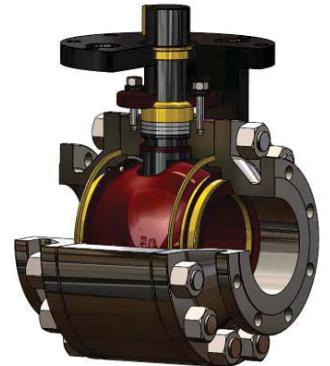
- RF, RTJ, HUB, BW, SW
Per customer specifications

SEALING OPTIONS

- Uni-directional (Standard)
- Bi-directional (Optional)

Materials

- *Per Customers Specifications*



R-SERIES

Applications: In-Line Repairable Valve for Power, Chemical and Petrochemical Applications.

SIZE

- ½" – 24"

PRESSURE CLASS

- 150# - 4500#

END CONNECTIONS

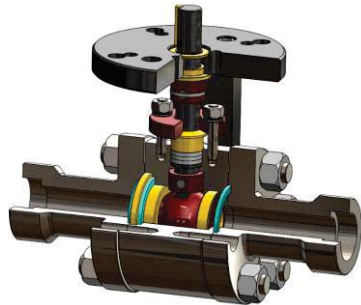
- SW Standard (BW, HUB)
Per customer specifications

SEALING OPTIONS

- Uni-directional (Standard)
- Bi-directional

Materials

- *Per customer specifications*



Patent Pending

E-SERIES

Applications: Overpressure Protection for Boilers and Isolation for Relief Valves.

SIZE

- 1 ½" – 4"

PRESSURE CLASS

- 1500# - 4500#

END CONNECTIONS

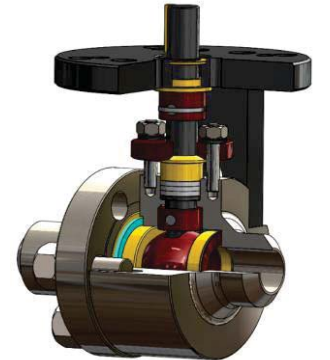
- RF, RTJ, HUB, BW, SW
Per customer specifications

SEALING OPTIONS

- Uni-directional (Standard)

Materials

- F22, F91, F92



K-SERIES

Applications: Cryogenic

SIZE

- ½" – 16" (2 or 3 Piece)

PRESSURE CLASS

- 150# - 2500# (-452°F - 200°F)

END CONNECTIONS

- RF, RTJ, HUB, BW, SW
Per customer specifications

SEALING OPTIONS

- Uni-directional (Standard)
- Bi-directional (Optional)

Materials

- F316SS, Monel



P-SERIES

Applications: Soft Seated

SIZE

- ½" – 36" (2 or 3 piece)

PRESSURE CLASS

- 150# - 4500#

END CONNECTIONS

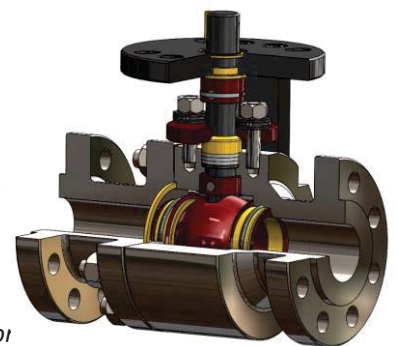
- RF, RTJ, HUB, BW, SW
Per customer specifications

SEALING OPTIONS

- Uni-directional (Standard)
- Bi-directional (Optional)

Materials

- *Per Customers Specification*



Engineered Solutions for Critical Severe Service Applications

Custom designs for the toughest applications



Simplifying the way you buy valves

REMINGTON VALVE

706 Nebraska Street
South Houston, Texas 77587

FLOCONX

For sales information: sales@floconx.com
Para ventas: ventas@floconx.com
FLOCONX LLC | VENEZUELA C.A | COLOMBIA S.A.S.
5850 SAN FELIPE ST # 500 HOUSTON TEXAS
UNITED STATES | WWW.FLOCONX.COM